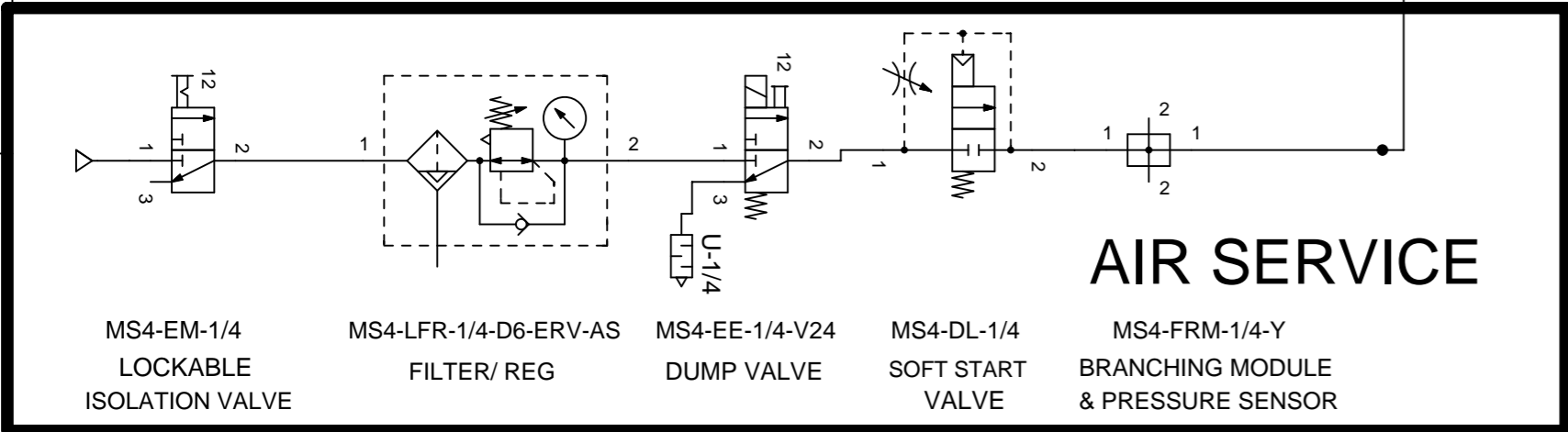
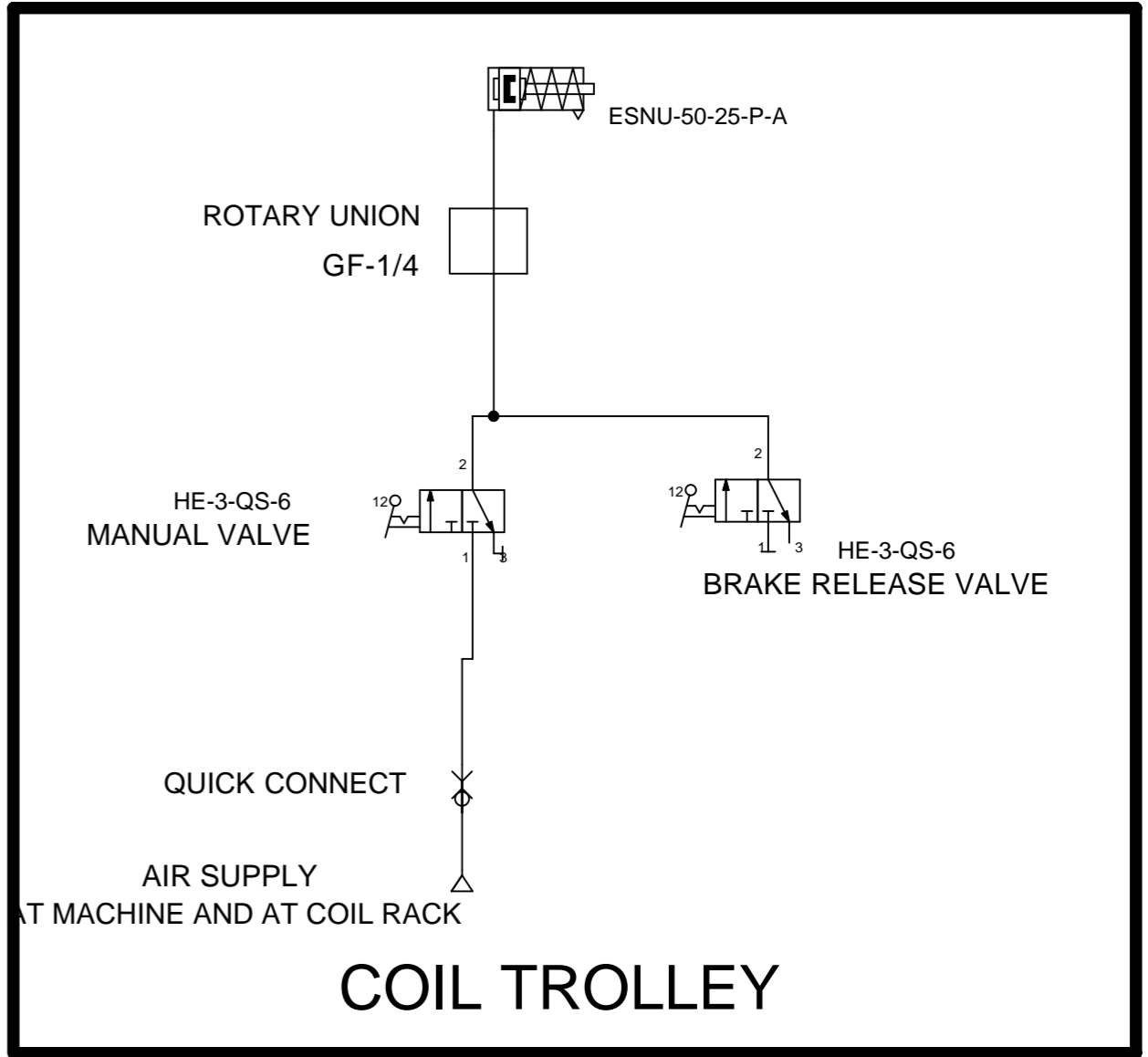


PORTS  
 1 & 11 MAIN AIR  
 12/14 PILOT AIR  
 82 & 84 PILOT EXHAUST AIR  
 3/5 EXHAUST AIR



Date 6/6/7		Austratek Designs Pty Ltd Rev 1
		Riser Bar Guillotine Pneumatic cct
	Drawn C.Anderson	





